
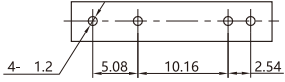

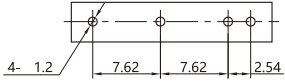


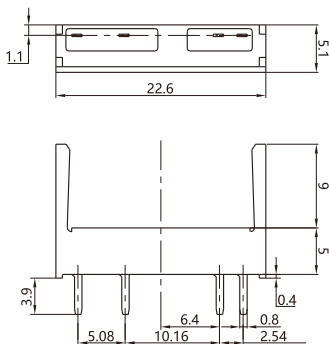
# 49F 继电器插座系列

Relay Socket Automation Components

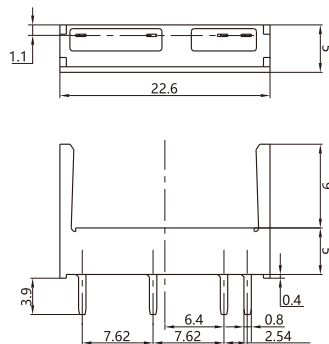
49F			接线图/Wiring diagram
	额定电流	Rated current	7A
	额定电压	Rated voltage	250VAC
	介质耐压	Medium pressure	2500VAC
	环境温度	Ambient temperature	-45°C~+70°C
	适用继电器型号	Applicable relay model	HF49F
			

49FA			接线图/Wiring diagram
	额定电流	Rated current	7A
	额定电压	Rated voltage	250VAC
	介质耐压	Medium pressure	2500VAC
	环境温度	Ambient temperature	-45°C~+70°C
	适用继电器型号	Applicable relay model	HF49FA
			

49F



49FA



金属按钮开关  
Metal button switch

塑料按钮开关  
Plastic button switch

继电器  
Relay

继电器插座  
Relay socket

隔离开关  
Disconnecting switch

智能物联网模块  
Intelligent Internet of things module

检修控制盒  
The inspection control station